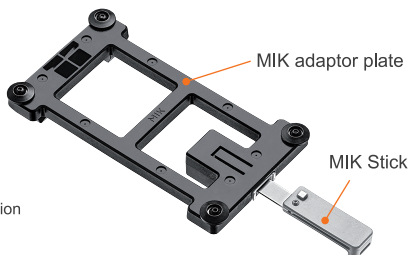


MIK



MIK adaptor plate on bag base*



*Product shown is for illustration purposes only and may not correspond to your MIK bag or basket.

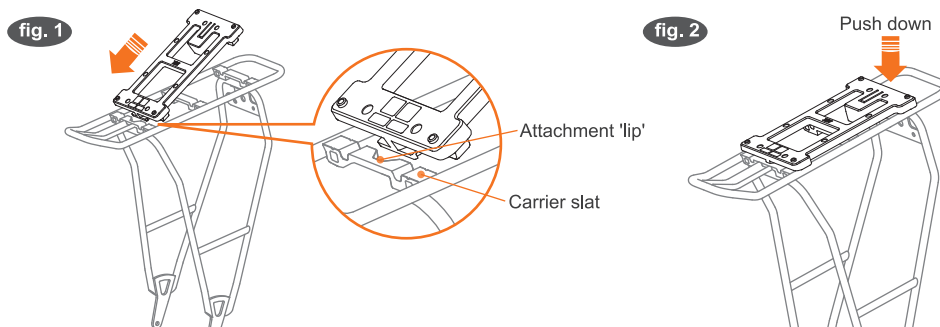
The **MIK Bike Luggage System** enables a MIK bag or basket to be mounted instantly to a MIK rear carrier. MIK bags are equipped with the MIK adaptor plate, and a MIK Stick (bag release device).

MIK luggage is only compatible with MIK rear carriers.

ATTACH BAG OR BASKET

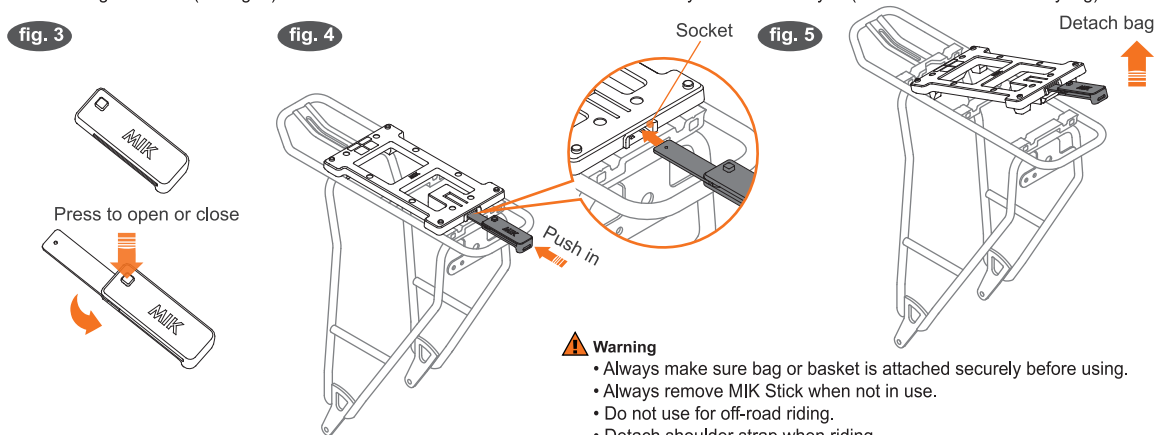
1. To attach a bag or basket to carrier: place attachment 'lip' on front of adaptor plate under slat on front of carrier (see fig. 1).
2. Lock bag onto carrier by pushing down on rear of bag until you here a 'click' and the bag is securely attached (see fig. 2).

Note: MIK panniers and some bags are also equipped with straps that need to be attached to bike carrier.



DETACH BAG OR BASKET

1. To detach bag, open MIK Stick by pressing its small, square button (see fig. 3).
2. Insert MIK Stick blade into socket and push until you hear a 'click' and the bag releases (see fig. 4).
3. Lift bag off carrier (see fig. 5). Remove MIK Stick. Fold blade into handle and carry MIK Stick with you (it can be attached to a keyring).



Warning

- Always make sure bag or basket is attached securely before using.
- Always remove MIK Stick when not in use.
- Do not use for off-road riding.
- Detach shoulder strap when riding.

Limited Warranty

Ibera warrants this product for normal usage against workmanship, and material defects to the original purchaser for two year from purchase date. Products purchased online are not covered by this warranty unless purchased from an authorised Ibera online store. 1. User assumes all risk of personal injury, damage to or failure of the product when it is used in jumping, acrobatics or similar activities. 2. Warranty does not cover any incidental or consequential damages, such as personal injury or other losses due to accident, neglect, misuse, abuse, modification, normal wear and tear, improper care and cleaning, or failure to follow included instructions.

Ibera Co. Ltd.
Specifications subject to change without notice. Ibera is a trademark of Ibera Co. Ltd. All other trademarks are property of their respective owners. Copyright Ibera Co. Ltd. Made in Taiwan.

Artwork: 04/22