

**Tools Required:**  
3 mm, 4 mm Allen keys  
8 mm open-end wrench

**ASSEMBLE CARRIER**

**Change MIK / PakRak adaptor** (if necessary): By default carrier is set up to use MIK bags. To use with PakRak Commuter Bags, using 3 mm Allen key, unscrew adaptor at rear of carrier, invert it and refasten (see fig. 2).

**Assemble legs:** Measure distance from lower carrier bolt holes (on dropouts) on your bike. Choose Width A or B according to whichever more closely matches your measurement (see fig. 3).

Note: Legs are left and right specific. Long section must be mounted on front bracket with its three bolt holes facing out (see fig. 1).

For bikes with wide seat stays: attach legs to outside leg bracket with bolt head on outermost hole (see fig. 3). For bikes with narrow seat stays: attach legs to inside of inner leg brackets with bolt head on innermost hole (see fig. 3).

Using flat head bolts and nuts, slide washers onto bolts. Using 4 mm Allen key, and wrench in unison, attach legs and tighten.

**Assemble leg extenders:** Adjust carrier leg length if necessary according to the wheel size of your bike (see fig. 4). With 4 mm Allen key, screw in medium bolts.

**Assemble arms:** Place arms—marked 'L' (left), and 'R' (right)—flush on underside of carrier. Align with bolt holes. Attach medium round head bolts and nuts (bolt side up) by using 4 mm Allen key and wrench in unison. Do not fully tighten as further adjustment will be necessary.

**Install light/reflector bracket:** Using 3 mm Allen key, attach bracket—smallest hole facing up—with short round head bolt. Tighten bolt (see fig. 1).

**Supplied Parts**

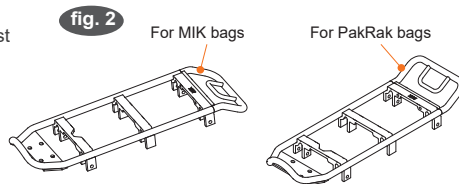
- a | Medium round head bolts x 6
- b | Arms x 2
- c | Flat head bolts with washers and nuts x 4
- d | Medium round head bolts with nuts x 4
- e | Cargo tray
- f | MIK / PakRak adaptor
- g | Light/reflector bracket
- h | Short round head bolt x 1
- i | Legs x 2
- j | Legs extenders x 2

**INSTALL CARRIER ON BIKE**

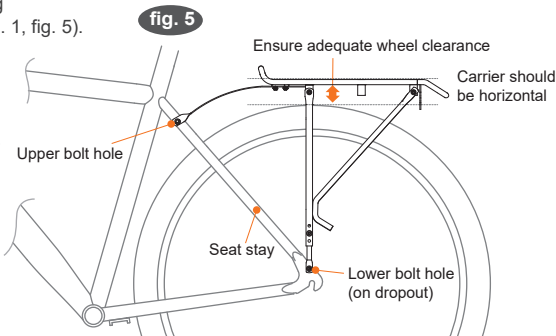
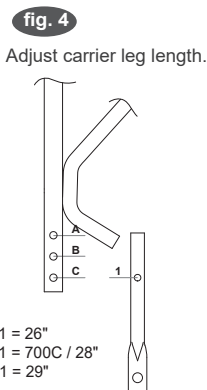
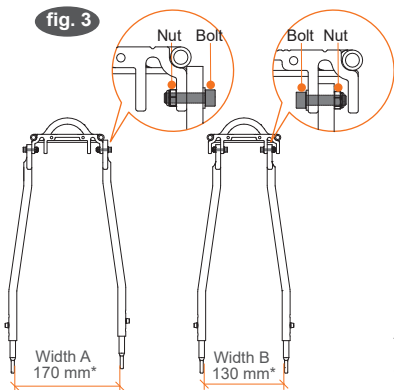
Use remaining four medium round head bolts and 4 mm Allen key.

**Attach carrier legs:** Place carrier over rear wheel. Fasten legs to lower bolt holes (press legs inwards or outwards to fit if necessary), but do not fully tighten. Top of carrier should be horizontal, and have adequate clearance over wheel (see fig. 5).

**Attach carrier arms:** Adjust length and width: align arms with mounting holes at top of seat stays (bend to fit if necessary), tighten bolts (see fig. 1, fig. 5).



When adjustments are finished, tighten all bolts securely.



**Warning**

- Max. load 25 kg (55 lb).
  - Do not carry people on carrier.
  - Ensure bags or other cargo is securely attached to carrier before using.
  - Ensure all bolts are tight before each use.
- \*170 mm indicates a disk brake bike; 130 mm, a non-disk brake bike.

See other Ibera products at [www.ibera.info](http://www.ibera.info)

**Ibera Co. Ltd.**

Specifications subject to change without notice. Ibera is a trademark of Ibera Co. Ltd. All other trademarks are property of their respective owners. Copyright Ibera Co. Ltd. Made in Taiwan. Artwork: 05/23.

**Limited Warranty**

Ibera warrants this product for normal usage against workmanship, and material defects to the original purchaser for two year from purchase date. Products purchased online are not covered by this warranty unless purchased from an authorised Ibera online store. 1. User assumes all risk of personal injury, damage to or failure of the product when it is used in jumping, acrobatics or similar activities. 2. Warranty does not cover any incidental or consequential damages, such as personal injury or other losses due to accident, neglect, misuse, abuse, modification, normal wear and tear, improper care and cleaning, or failure to follow included instructions.